

# FAIL-SAFE 'MIL-SPEC'

## Model: SF80 - M8

**SNAP-FLAT™**  
The Safe Over-Center Latch

### New 'Ruggedized' Military Specified Version:

- **Silent** - No 'metal to metal' interface between base and Handle
- **Durable** - Military Grade 'e-coat' over all 316 stainless steel components
- **Low Profile** - with completely protected springs
- **Easy to install** - Bolt-on or Rivet

## BENEFITS OF THE SNAP-FLAT LATCH



### FAIL-SAFE ENGAGEMENT

The design prevents the latch from accidentally disengaging from the hook, even if it hasn't been secured into the over-centre position.



### REDUCE LATCH DAMAGE

Reduce latch being damaged by securing the latch and handle in the flat position so it doesn't "snag" against other objects.



### STRENGTH & DURABILITY

Intelligent design and stainless-steel manufacture to ensure strength, long term reliability and durability.



### SAFETY

Prevents injury by securing the latch and handle in the flat position so it can't "gouge" people.



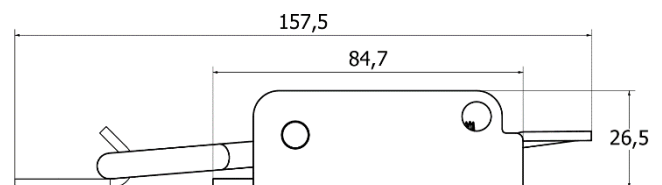
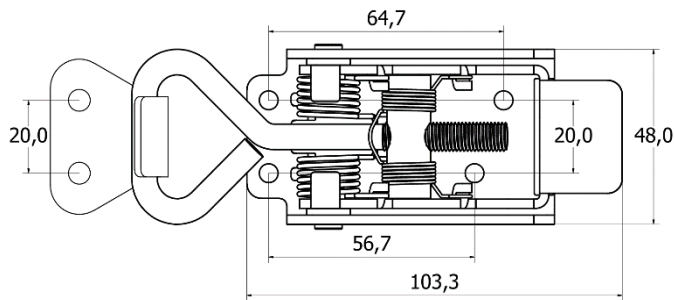
### LOCKABLE

Secure your goods with holes allowing for both small and large padlocks.



### EASY TO USE

Designed for comfortable, easy release & engagement of the latch. Adjustable length.



Model: SF80 - M8

**PATENT  
PENDING**

